

ECN #	APPRVD.	DATE
	PJO	01OCT08

SAFETY ORGANIZATIONS

THIS CONNECTOR HAS BEEN FORMALLY RECOGNIZED, CERTIFIED OR APPROVED BY THE LISTED AGENCY. THEREFORE, ALL TEST/REQUIREMENTS SPECIFIED IN THE LATEST REVISION OF THE FOLLOWING AGENCY STANDARDS HAVE BEEN MET:

UL RECOGNIZED: UL 1977
 CSA CERTIFIED: CSA 182.3 (THROUGH U.L.)
 TUV CERTIFIED: EN 61984

OPERATING SPECIFICATIONS

LINE CURRENT/VOLTAGE: 60 AMP, 300 VAC
 60 AMP, 300 VDC

LINE FREQUENCY: 0-60Hz

OPERATING AMBIENT TEMP. RANGE: -10°C TO +55°C @ RATED CURRENT, I_r.

IN AN AMBIENT, T_a, HIGHER THAN 55°C, THE MAXIMUM OPERATING CURRENT, I_o, IS AS FOLLOWS:

$$I_o = I_r \sqrt{\frac{105 - T_a}{50}}$$

RELIABILITY SPECIFICATIONS:

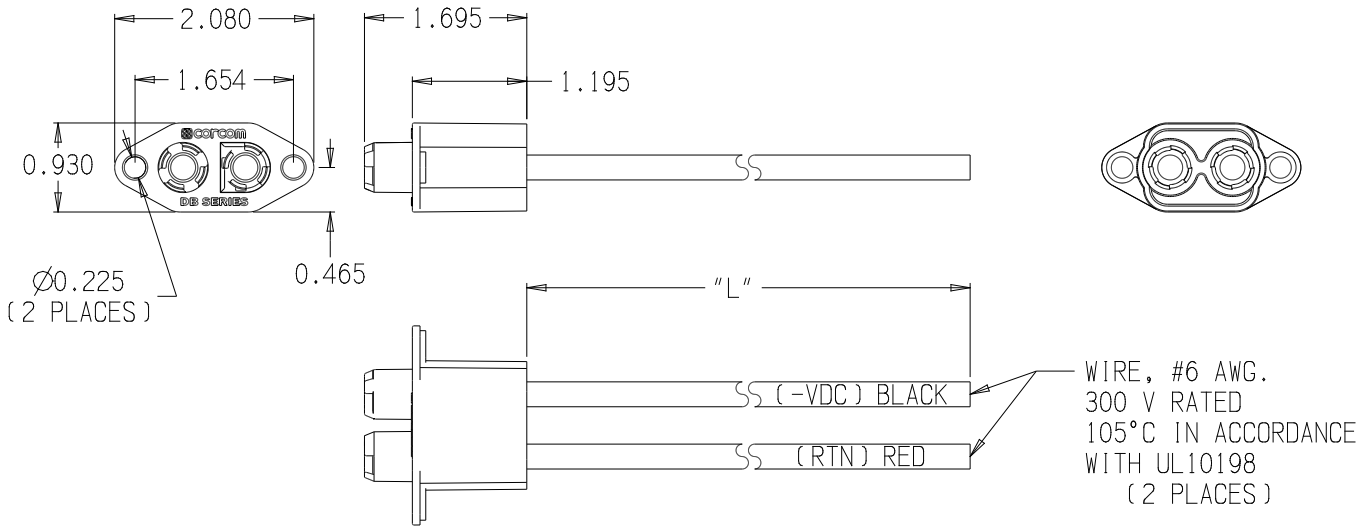
STORAGE TEMPERATURE: -40°C TO +85°C
 HUMIDITY: 21 DAYS @ 40°C 95% RH.
 CURRENT OVERLOAD TEST: 6 TIMES I_r FOR 8 SECONDS

RECOMMENDED RECEIVING INSPECTION HIPOT:

LINE TO LINE: 1600 VAC FOR 1 MINUTE

NOT RECOMMENDED FOR HOT SWAP APPLICATIONS

NOT RECOMMENDED FOR CURRENT INTERRUPTING



CATALOG DESIGNATION	T.E.PN	CABLE LENGTH "L" (IN) MIN.
60DBPL1	4-1609075-9	12.0
60DBPL3	5-1609075-0	36.0
60DBPL9	5-1609075-1	108.0

PARTS SHALL COMPLY WITH TYCO ELECTRONICS 230-702 SPECIFICATION FOR HAZARDOUS SUBSTANCES UNLESS OTHERWISE SPECIFIED TOLERANCE TO BE ±0.025 MATERIAL & FINISH: AS SUPPLIED				<p>CORCON PRODUCTS, 620 S. BUTTERFIELD RD., MUNDELEIN IL 60060</p> <p>60 DB SERIES PLUG WITH 6 AWG CABLE</p>
NOTES:				
TYCO ELECTRONICS PART NO. SEE CHART				

SHEET SIZE A	THIRD ANGLE PROJECTION	THIS INFORMATION IS CONFIDENTIAL AND PROPRIETARY TO TYCO ELECTRONICS CORPORATION AND ITS WORLDWIDE SUBSIDIARIES AND AFFILIATES. IT MAY NOT BE DISCLOSED TO ANYONE OTHER THAN TYCO ELECTRONICS PERSONNEL, WITHOUT WRITTEN AUTHORIZATION FROM TYCO ELECTRONICS CORPORATION, HARRISBURG, PENNSYLVANIA USA.	CVM	YES	NO	SCALE: .5:1	DATE: 01OCT08	DRAWING NUMBER:	REV.
			AVAILABLE						